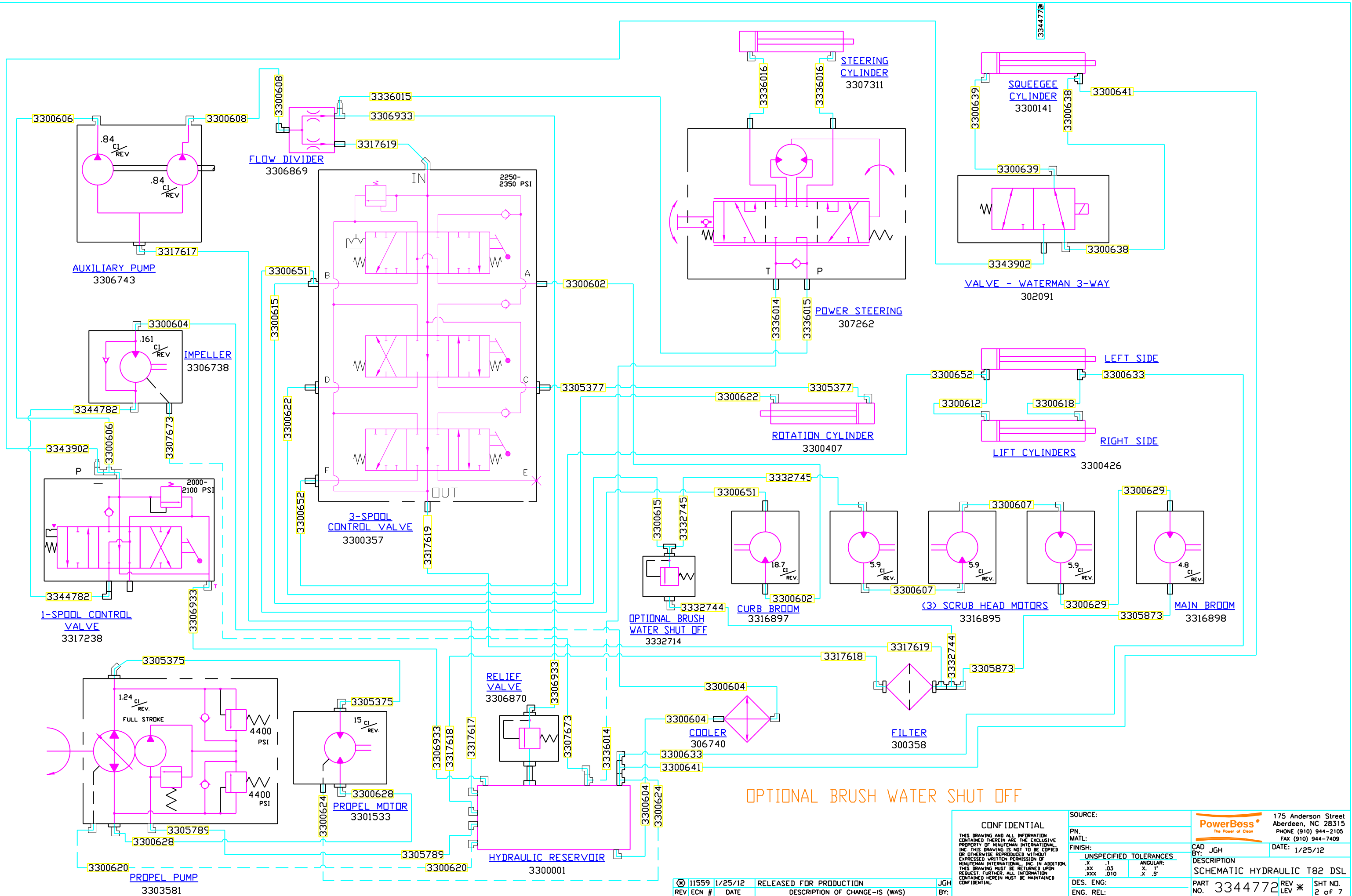


<p>CONFIDENTIAL</p> <p>THIS DRAWING AND ALL INFORMATION CONTAINED THEREIN ARE THE EXCLUSIVE PROPERTY OF MINITEMAN INTERNATIONAL, INC. THIS DRAWING IS NOT TO BE COPIED OR OTHERWISE REPRODUCED WITHOUT EXPRESSED WRITTEN PERMISSION OF MINITEMAN INTERNATIONAL, INC. IN ADDITION, THIS DRAWING MUST BE RETURNED UPON REQUEST. FURTHER, ALL INFORMATION CONTAINED HEREIN MUST BE MAINTAINED CONFIDENTIAL.</p>	<p>SOURCE:</p>		<p>175 Anderson Street Aberdeen, NC 28315 PHONE (910) 944-2105 FAX (910) 944-7409</p>									
	<p>PN:</p>	<p>PowerBoss The Power of Clean</p>										
	<p>MATL:</p>	<p>FINISH:</p>	<p>CAD BY: JGH</p>	<p>DATE: 1/25/12</p>								
	<p>UNSPECIFIED TOLERANCES</p> <table border="1"> <tr> <td>.X</td> <td>.1</td> <td>ANGULAR:</td> </tr> <tr> <td>.XX</td> <td>.03</td> <td>X .1"</td> </tr> <tr> <td>.XXX</td> <td>.010</td> <td>X .5"</td> </tr> </table>	.X	.1	ANGULAR:	.XX	.03	X .1"	.XXX	.010	X .5"	<p>DESCRIPTION</p> <p>SCHEMATIC HYDRAULIC T82 DSL</p>	
.X	.1	ANGULAR:										
.XX	.03	X .1"										
.XXX	.010	X .5"										
<p>DES. ENG:</p>	<p>ENG. REL:</p>	<p>PART NO. 3344772</p>	<p>REV * 1</p>	<p>SHT NO. 1 of 7</p>								

11559 1/25/12 RELEASED FOR PRODUCTION JGH
 REV ECN # DATE DESCRIPTION OF CHANGE-IS (WAS) BY:

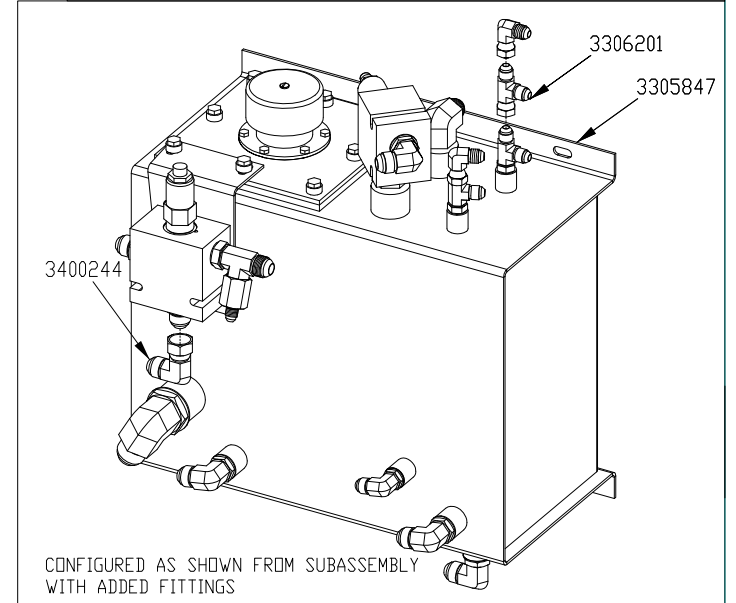
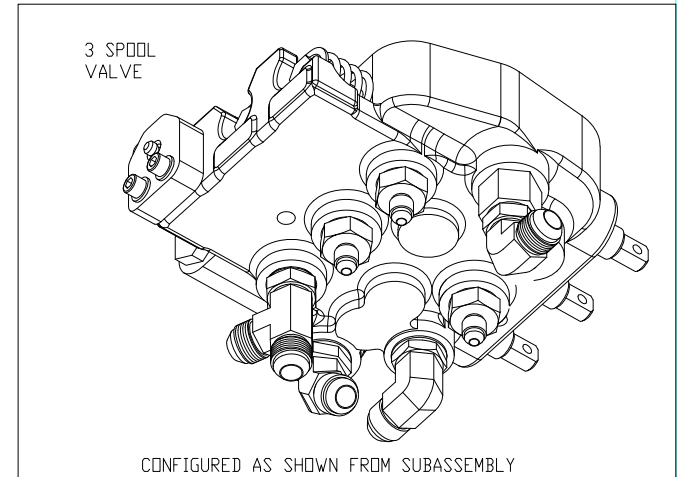
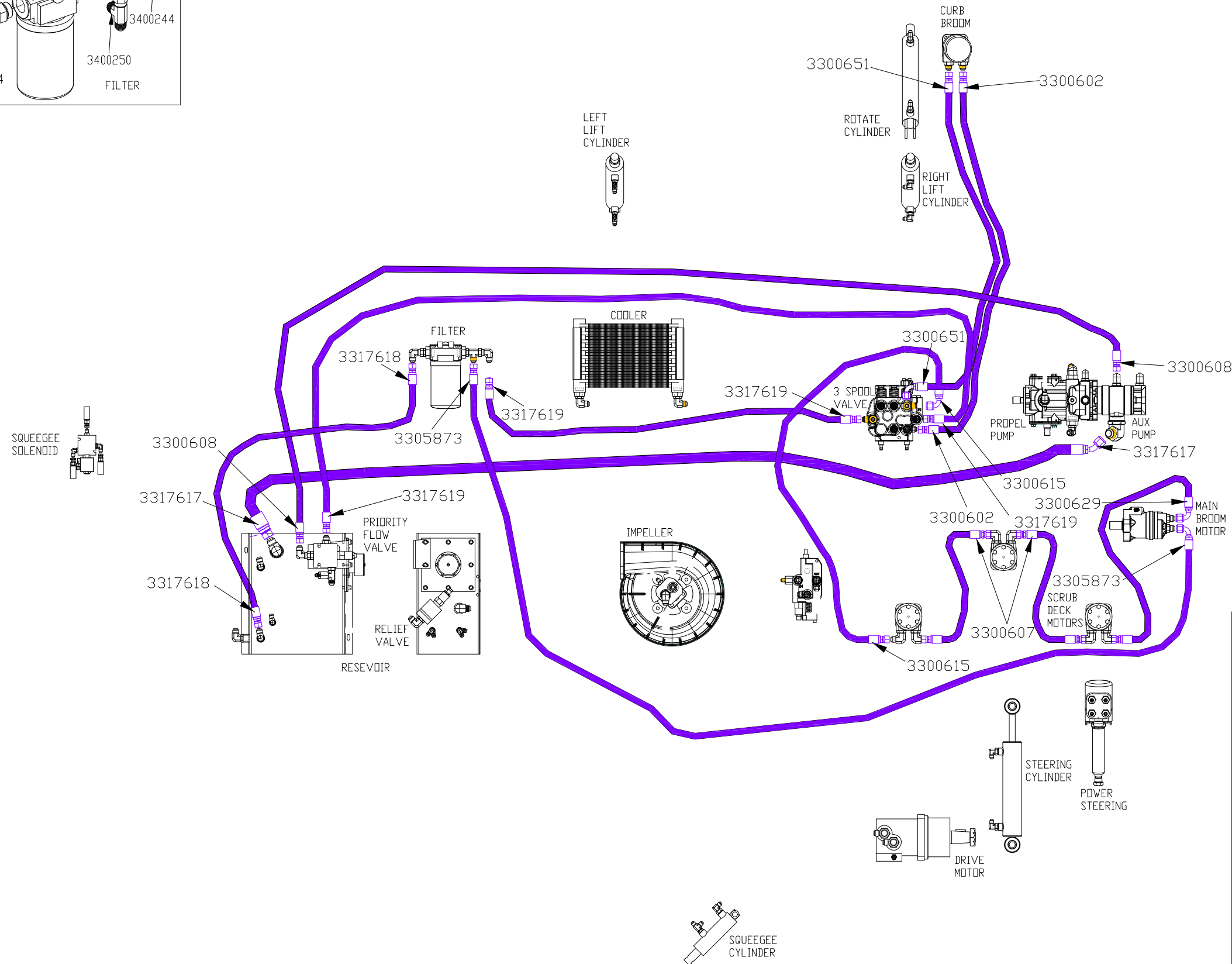
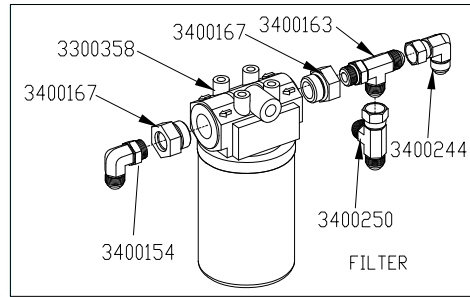


OPTIONAL BRUSH WATER SHUT OFF

<p>CONFIDENTIAL</p> <p>THIS DRAWING AND ALL INFORMATION CONTAINED HEREIN ARE THE EXCLUSIVE PROPERTY OF MINUTEMAN INTERNATIONAL, INC. THIS DRAWING IS NOT TO BE COPIED OR OTHERWISE REPRODUCED WITHOUT EXPRESSED WRITTEN PERMISSION OF MINUTEMAN INTERNATIONAL, INC. IN ADDITION, THIS DRAWING MUST BE RETURNED UPON REQUEST. FURTHER, ALL INFORMATION CONTAINED HEREIN MUST BE MAINTAINED CONFIDENTIAL.</p>	SOURCE:	<p>PowerBoss The Power of Clean</p> <p>175 Anderson Street Aberdeen, NC 28315 PHONE (910) 944-2105 FAX (910) 944-7409</p>						
	PN:		CAD BY: JGH DATE: 1/25/12					
	MATL:		DESCRIPTION: SCHEMATIC HYDRAULIC T82 DSL					
	FINISH:		PART NO. 3344772					
	UNSPECIFIED TOLERANCES:	REV * 2 of 7						
	<table border="0"> <tr> <td>.X .1</td> <td>ANGULAR:</td> </tr> <tr> <td>.XX .03</td> <td>X .1"</td> </tr> <tr> <td>.XXX .010</td> <td>X .5"</td> </tr> </table>	.X .1	ANGULAR:	.XX .03	X .1"	.XXX .010	X .5"	
.X .1	ANGULAR:							
.XX .03	X .1"							
.XXX .010	X .5"							
DES. ENG:	ENG. REL:							

© 11559 1/25/12	RELEASED FOR PRODUCTION	JGH
REV ECN #	DESCRIPTION OF CHANGE-IS (WAS)	BY:

3344772



BROOM AND SCRUB FUNCTIONS

11559	1/25/12	RELEASED FOR PRODUCTION	JGH
REV	ECN #	DATE	DESCRIPTION OF CHANGE-IS (WAS)

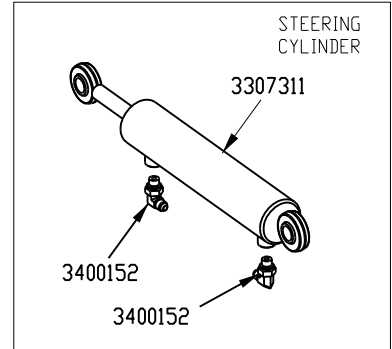
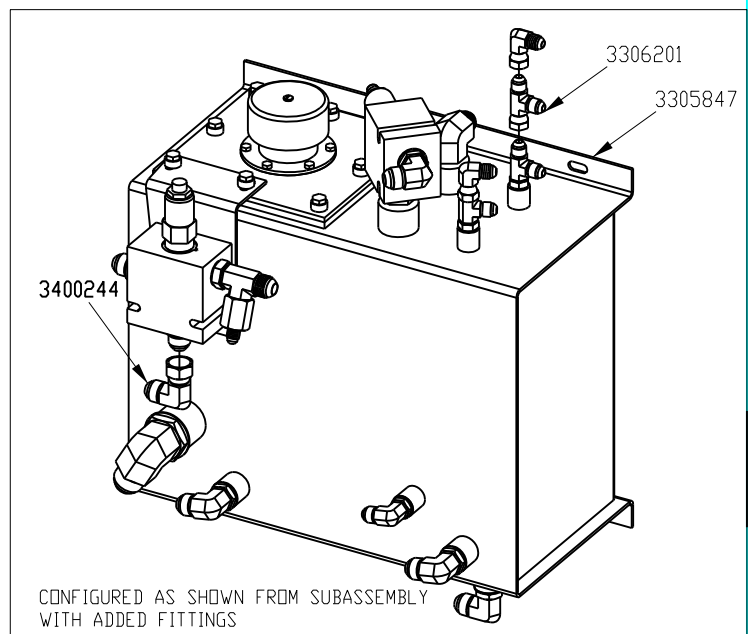
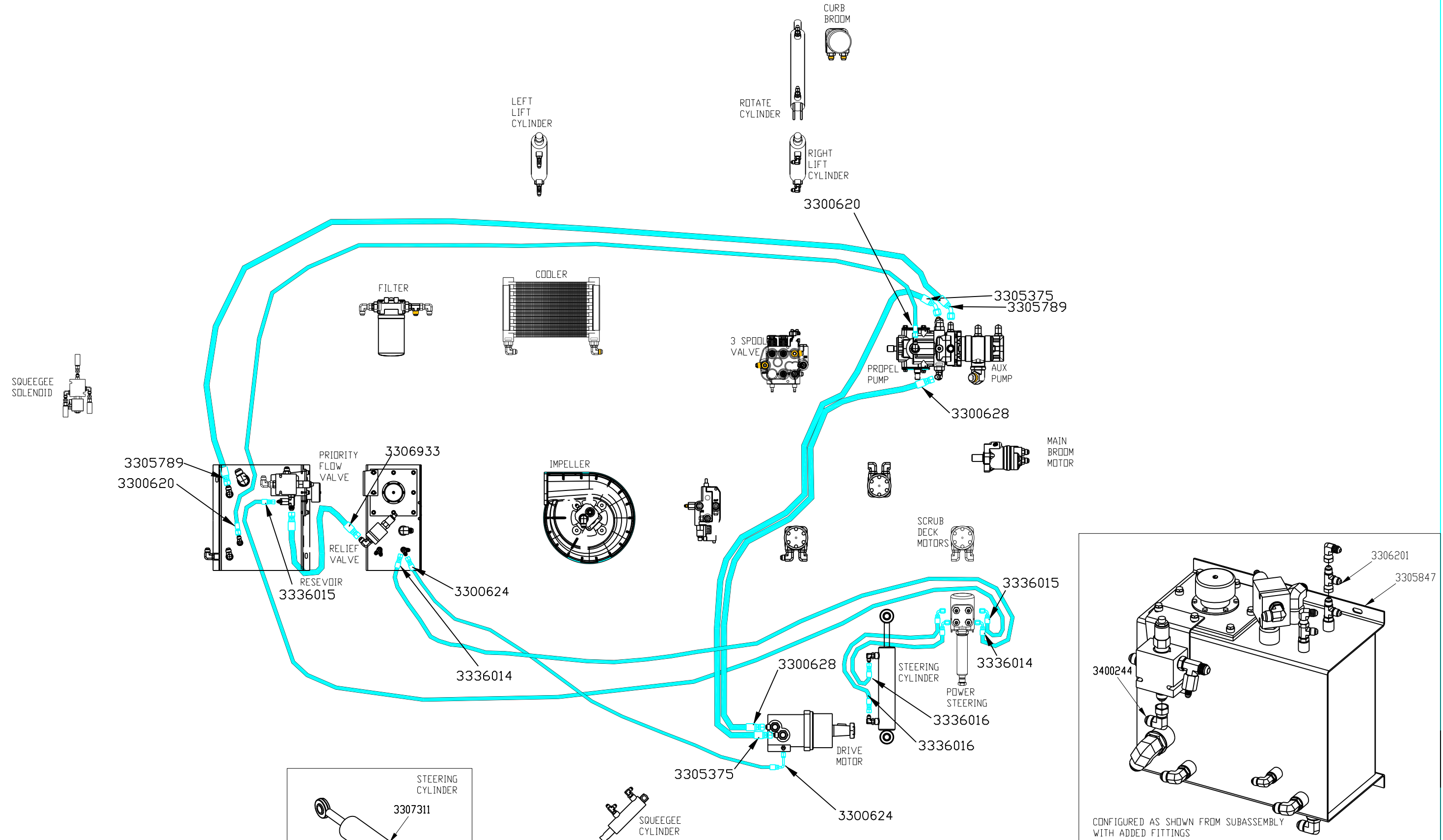
CONFIDENTIAL
THIS DRAWING AND ALL INFORMATION CONTAINED THEREIN ARE THE EXCLUSIVE PROPERTY OF MINITEMAN INTERNATIONAL, INC. THIS DRAWING IS NOT TO BE COPIED OR OTHERWISE REPRODUCED WITHOUT EXPRESSED WRITTEN PERMISSION OF MINITEMAN INTERNATIONAL, INC. IN ADDITION, THIS DRAWING MUST BE RETURNED UPON REQUEST. FURTHER, ALL INFORMATION CONTAINED HEREIN MUST BE MAINTAINED CONFIDENTIAL.

SOURCE:	PN:	FINISH:	UNSPECIFIED TOLERANCES:
MATL:	BY:	.X .1	ANGULAR:
		.XX .03	X .1
		.XXX .010	X .5
DES. ENG:	ENG. REL:		

PowerBoss
The Power of Clean

175 Anderson Street
Aberdeen, NC 28315
PHONE (910) 944-2105
FAX (910) 944-7409

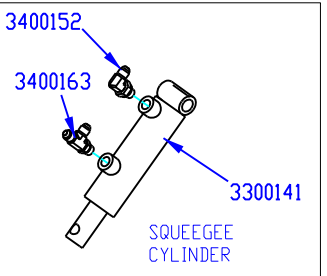
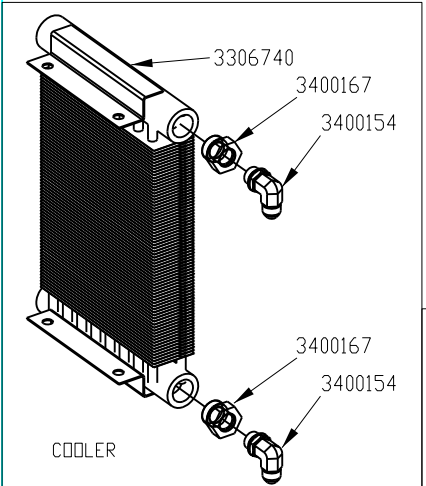
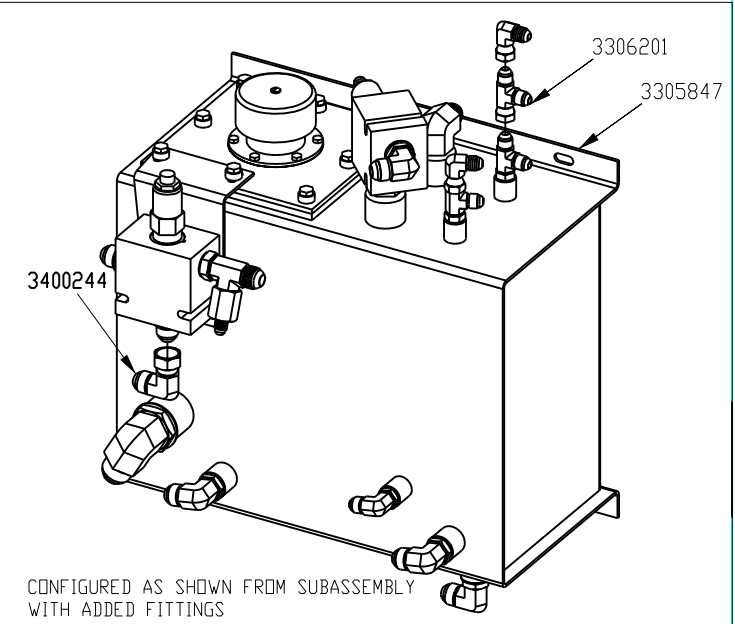
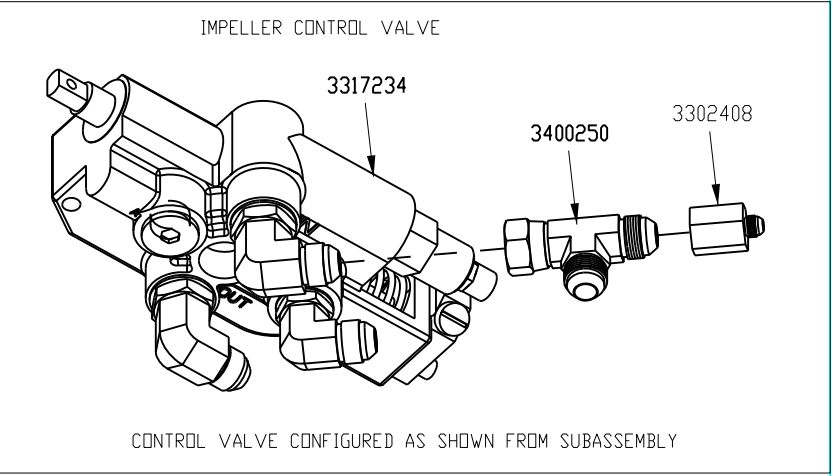
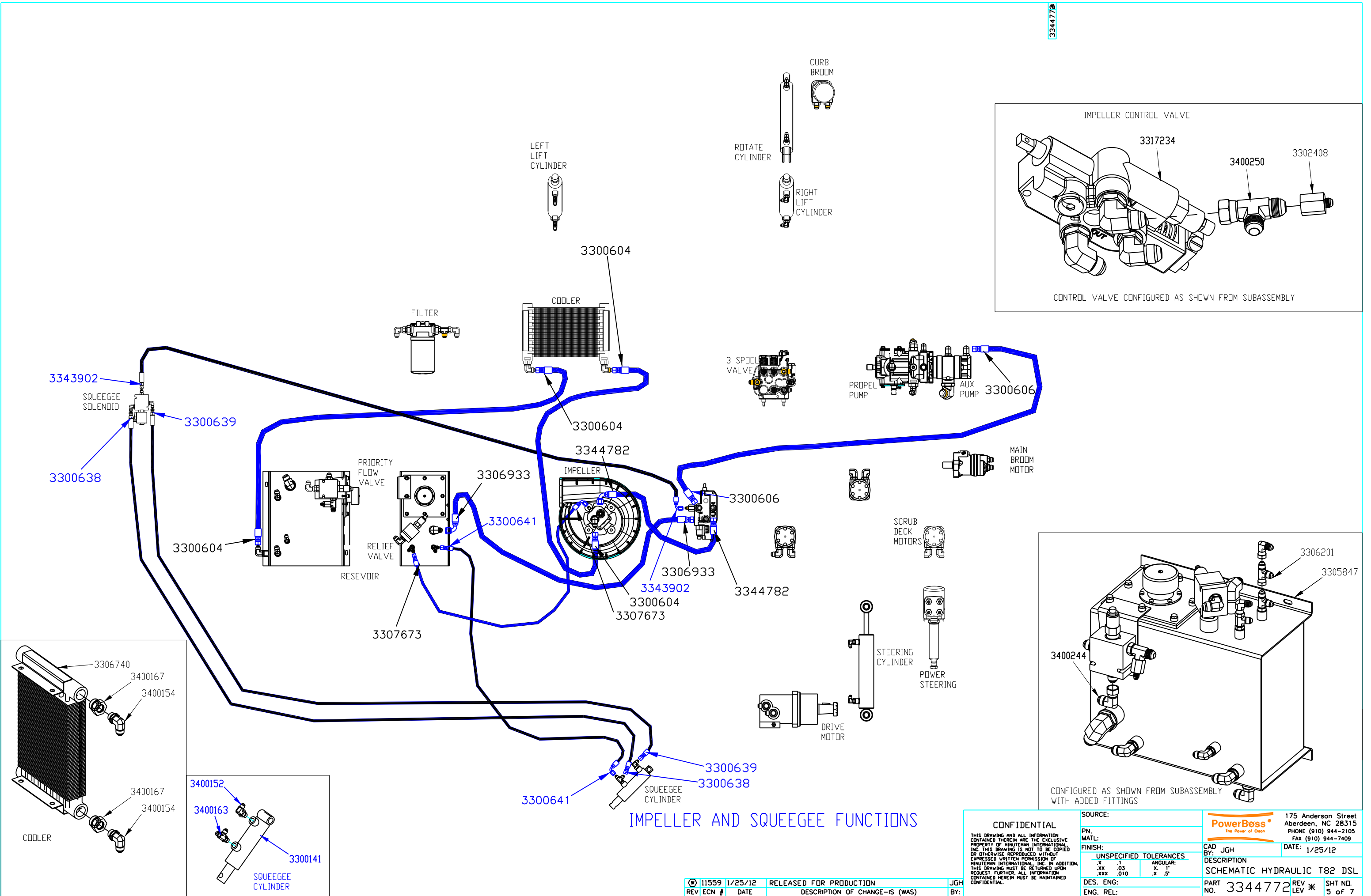
CAD BY: JGH
DATE: 1/25/12
DESCRIPTION: SCHEMATIC HYDRAULIC T82 DSL
PART NO. 3344772
REV LEV *
SHT NO. 3 of 7



DRIVE AND STEERING FUNCTIONS

CONFIDENTIAL		SOURCE:		175 Anderson Street Aberdeen, NC 28315 PHONE (910) 944-2105 FAX (910) 944-7409	
THIS DRAWING AND ALL INFORMATION CONTAINED THEREIN ARE THE EXCLUSIVE PROPERTY OF MINUTEMAN INTERNATIONAL, INC. THIS DRAWING IS NOT TO BE COPIED OR OTHERWISE REPRODUCED WITHOUT EXPRESSED WRITTEN PERMISSION OF MINUTEMAN INTERNATIONAL, INC. IN ADDITION, THIS DRAWING MUST BE RETURNED UPON REQUEST. FURTHER, ALL INFORMATION CONTAINED HEREIN MUST BE MAINTAINED CONFIDENTIAL.		PN: MATL: FINISH: UNSPECIFIED TOLERANCES: X .1 .XX .03 .XXX .010		ANGULAR: X .1 X .5	
DES. ENG:		BY: JGH		DATE: 1/25/12	
ENG. REL:		DESCRIPTION SCHEMATIC HYDRAULIC T82 DSL		PART NO. 3344772 REV * SHT NO. 4 of 7	

11559	1/25/12	RELEASED FOR PRODUCTION	JGH
REV	ECN #	DATE	DESCRIPTION OF CHANGE-IS (WAS)

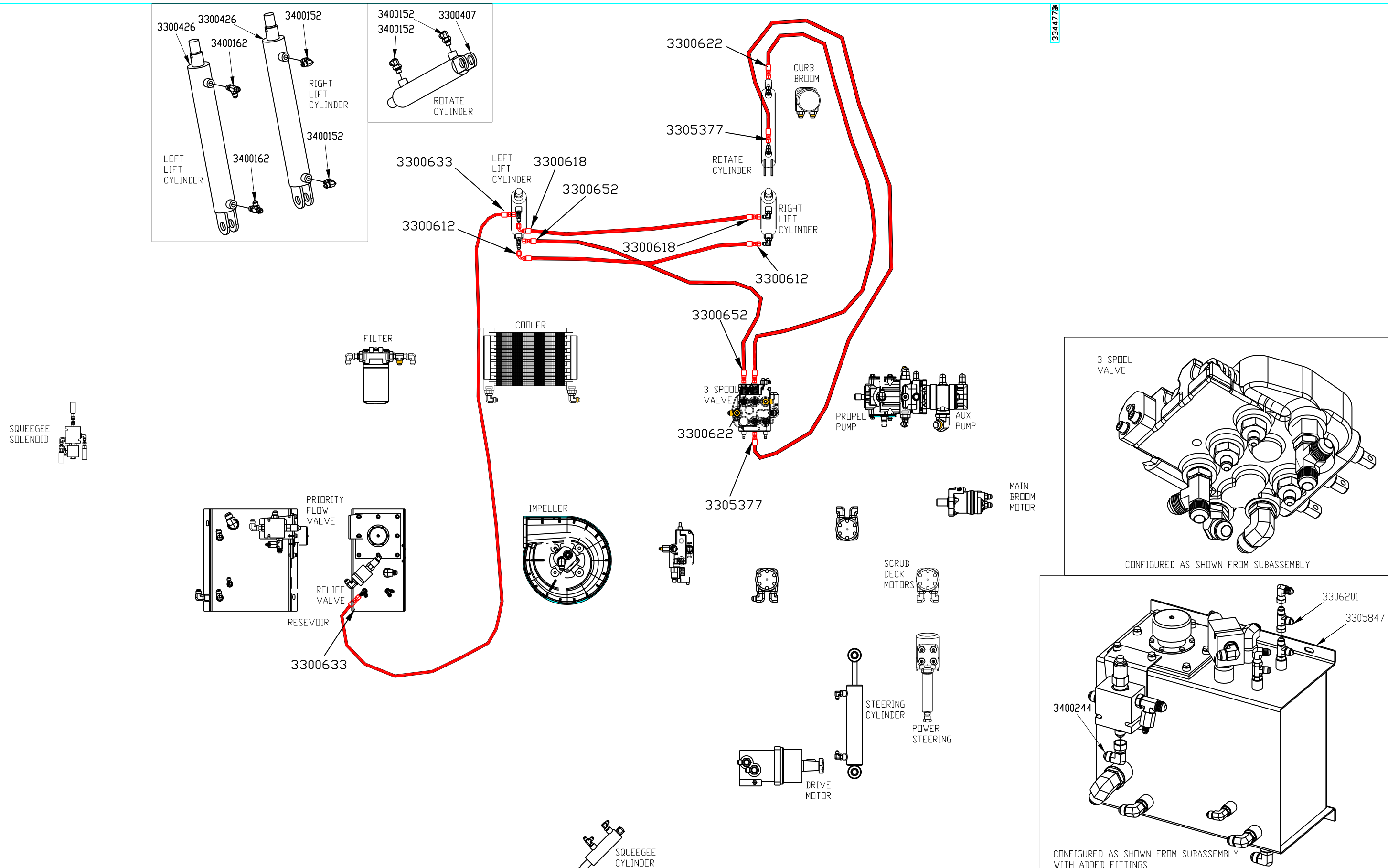


IMPELLER AND SQUEEGEE FUNCTIONS

CONFIDENTIAL		SOURCE:		175 Anderson Street Aberdeen, NC 28315	
THIS DRAWING AND ALL INFORMATION CONTAINED THEREIN ARE THE EXCLUSIVE PROPERTY OF MINUTEMAN INTERNATIONAL, INC. THIS DRAWING IS NOT TO BE COPIED OR OTHERWISE REPRODUCED WITHOUT EXPRESSED WRITTEN PERMISSION OF MINUTEMAN INTERNATIONAL, INC. IN ADDITION, THIS DRAWING MUST BE RETURNED UPON REQUEST. FURTHER, ALL INFORMATION CONTAINED HEREIN MUST BE MAINTAINED CONFIDENTIAL.		PN: MATERIAL: FINISH:		PHONE (910) 944-2105 FAX (910) 944-7409	
		UNSPECIFIED TOLERANCES:		DATE: 1/25/12	
		.X .1 .XX .03 .XXX .010		CAD BY: JGH	
		ANGULAR: X .1" X .5"		DESCRIPTION	
		DES. ENG:		SCHEMATIC HYDRAULIC T82 DSL	
		ENG. REL:		PART NO. 3344772	
				REV * 5 of 7	

11559	1/25/12	RELEASED FOR PRODUCTION	JGH
REV	ECN #	DATE	DESCRIPTION OF CHANGE-IS (WAS)
			BY:

3344772

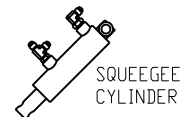
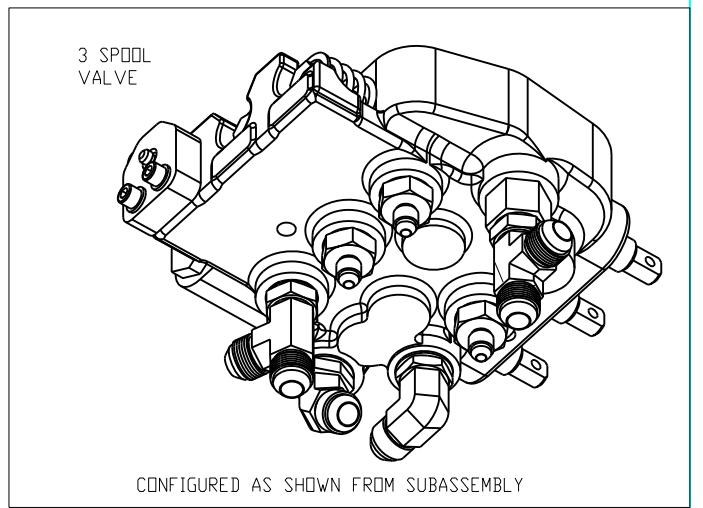
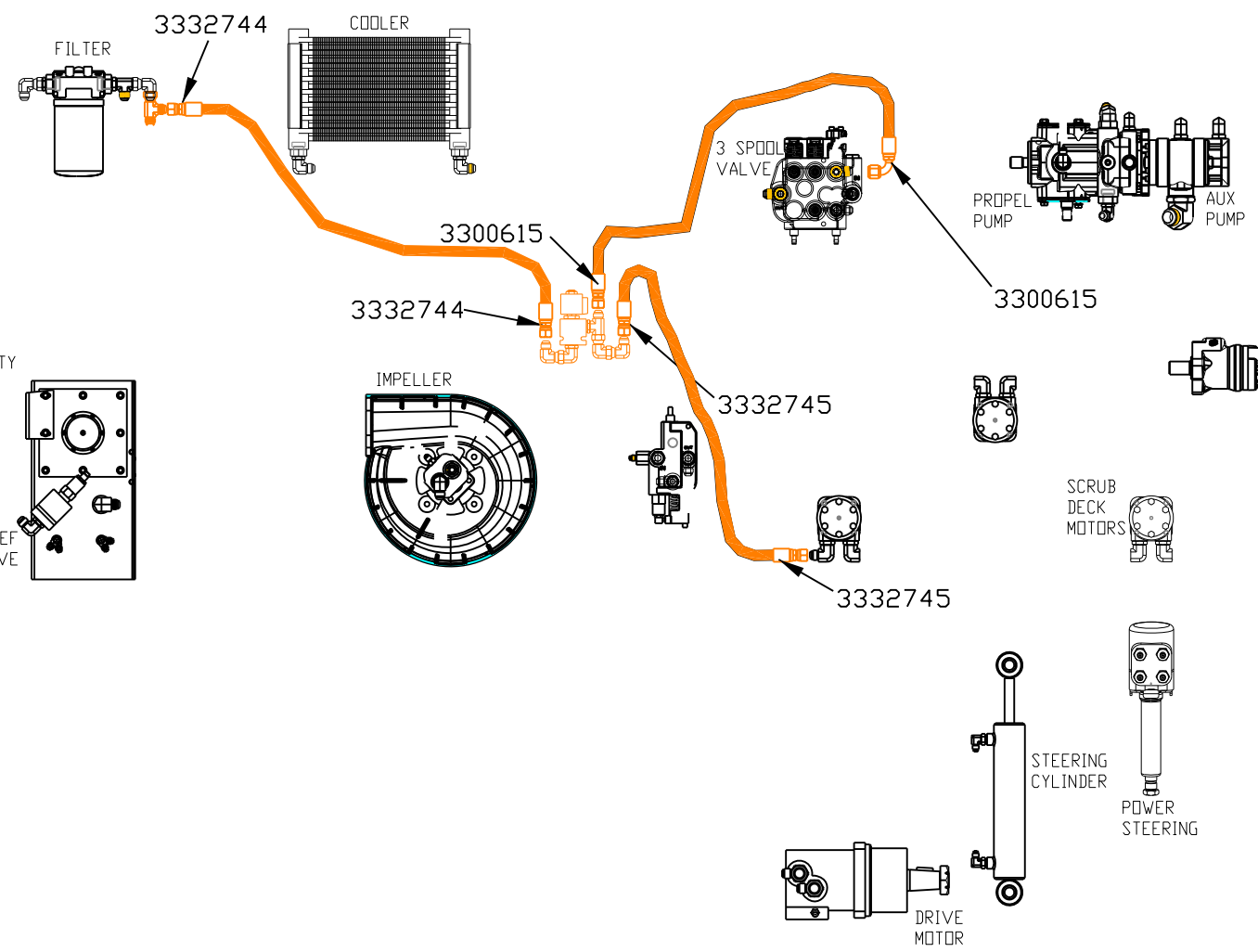
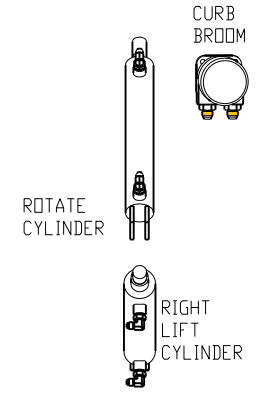
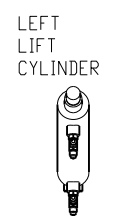
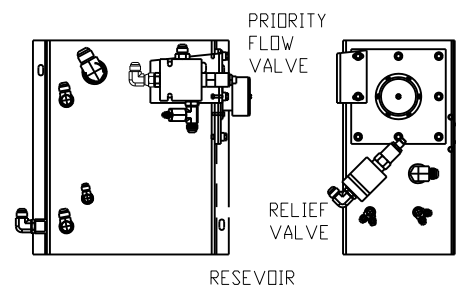
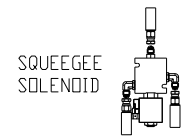
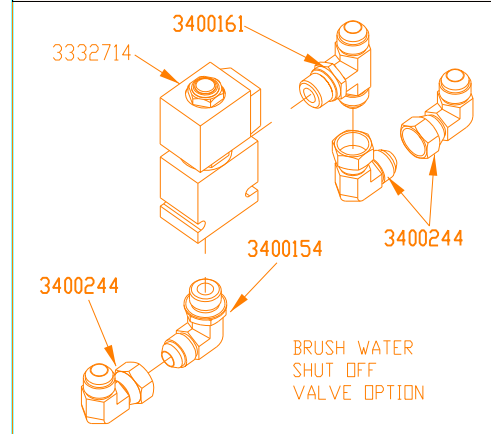
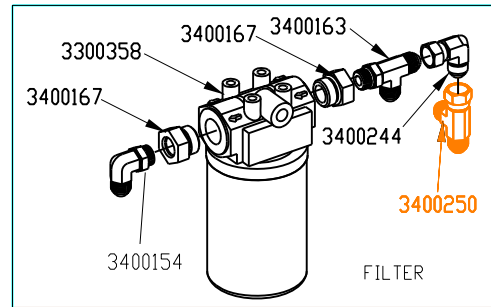


LIFT AND ROTATE FUNCTIONS

CONFIDENTIAL THIS DRAWING AND ALL INFORMATION CONTAINED THEREIN ARE THE EXCLUSIVE PROPERTY OF MINUTEMAN INTERNATIONAL, INC. THIS DRAWING IS NOT TO BE COPIED OR OTHERWISE REPRODUCED WITHOUT EXPRESSED WRITTEN PERMISSION OF MINUTEMAN INTERNATIONAL, INC. IN ADDITION, THIS DRAWING MUST BE RETURNED UPON REQUEST. FURTHER, ALL INFORMATION CONTAINED HEREIN MUST BE MAINTAINED CONFIDENTIAL.		SOURCE:		175 Anderson Street Aberdeen, NC 28315 PHONE (910) 944-2105 FAX (910) 944-7409	
PN:	MATL:	FINISH:	UNSPECIFIED TOLERANCES		
		.X .1	ANGULAR:		
		.XX .03	X .1"		
		.XXX .010	X .5"		
DES. ENG:	ENG. REL:	CAD BY:	DATE:		
		JGH	1/25/12		
DESCRIPTION			SCHEMATIC HYDRAULIC T82 DSL		
PART NO. 3344772		REV * 6	SHT NO. 6 of 7		

11559	1/25/12	RELEASED FOR PRODUCTION	JGH
REV	ECN #	DATE	DESCRIPTION OF CHANGE-IS (WAS)
			BY:

334472



OPTIONAL BRUSH WATER SHUT OFF

CONFIDENTIAL THIS DRAWING AND ALL INFORMATION CONTAINED THEREIN ARE THE EXCLUSIVE PROPERTY OF MINUTEMAN INTERNATIONAL, INC. THIS DRAWING IS NOT TO BE COPIED OR OTHERWISE REPRODUCED WITHOUT EXPRESSED WRITTEN PERMISSION OF MINUTEMAN INTERNATIONAL, INC. IN ADDITION, THIS DRAWING MUST BE RETURNED UPON REQUEST. FURTHER, ALL INFORMATION CONTAINED HEREIN MUST BE MAINTAINED CONFIDENTIAL.		SOURCE:	175 Anderson Street Aberdeen, NC 28315 PHONE (910) 944-2105 FAX (910) 944-7409
PN:	BY: JGH	DATE: 1/25/12	
MATL:	UNSPECIFIED TOLERANCES:	DESCRIPTION	
FINISH:	.X .1 ANGULAR: .XX .03 X 1° .XXX .010 X .5°	SCHEMATIC HYDRAULIC T82 DSL	
DES. ENG:	PART NO. 3344772	REV * 7	SHT NO. 7 OF 7
ENG. REL:			

11559	1/25/12	RELEASED FOR PRODUCTION	JGH
REV	ECN #	DATE	DESCRIPTION OF CHANGE-IS (WAS)